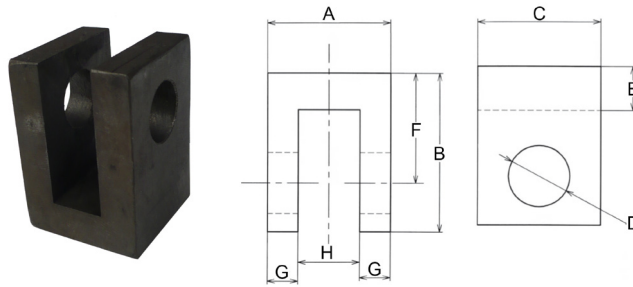


## Chapes



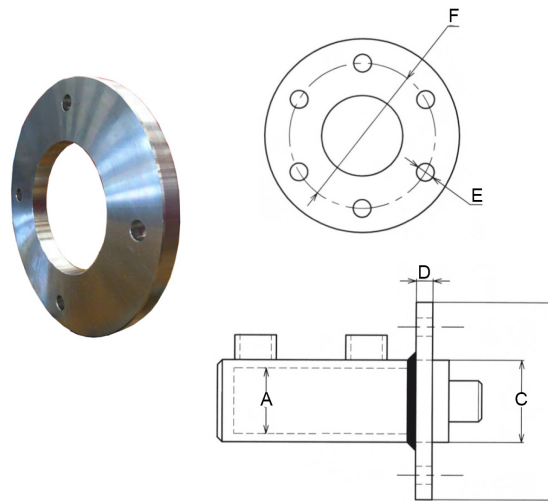
### En U femelle standard

A	B	C	D	E	F	G	H	Référence
mm								
35	55	35	16.2	15	39	9.5	16	404.016.4000*
40	65	40	20.25	15	45	10	20	404.020.40008
50	70	50	25.25	20	50	12.5	25	404.025.4000*
60	90	60	30.25	30	65	15	30	404.030.4000*
70	105	70	35.25	35	75	17.5	35	404.035.4000*
35	50	35	16.2	10	34	9.5	16	404.016.40007
40	60	40	20.25	10	40	10	20	404.020.40007
50	65	50	25.25	15	45	12.5	25	404.025.40000
60	75	60	30.25	15	50	15	30	404.030.40002
70	85	70	35.25	15	55	17.5	35	404.035.40000

\* Nous consulter

## Brides avant et arrière

34



Type	A	B	C	D	E	F	Référence
mm							
B32	32	100	40	10	9	80	495.110.1008000
B40	40	120	50	10	11	90	495.112.1009000
B50	50	130	60	12	13	100	495.113.1210000
B60	60	140	70	12	13	110	495.114.1211000
B70	70	160	80	15	15	130	495.116.1513000
B80	80	170	90	15	15	140	495.117.1514000
B90	90	180	100	15	15	150	495.118.1514000
B100	100	200	115	20	20	160	495.120.2016000
B120	120	240	140	25	20	200	495.124.2520000